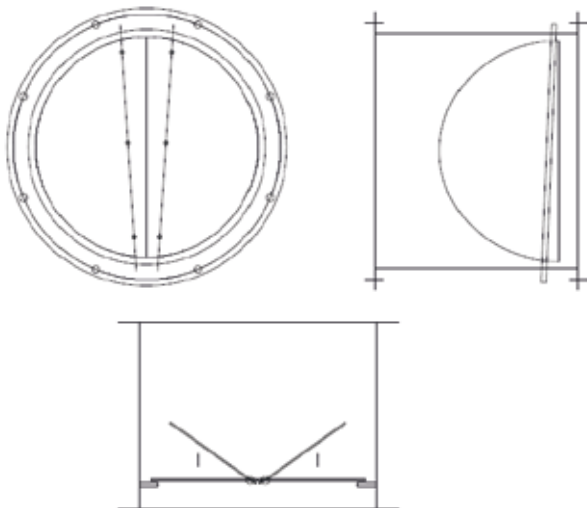


BUTTERFLY DAMPERS

Information & Spec Sheet



DESIGN

Butterfly Dampers / Non-return dampers are designed to open on air pressure and fall closed on loss of pressure. They are usually directly mounted onto fans and the two opening blades allows a smooth airflow through the system. The robust frames of 2mm means they are suitable for heavy duty assemblies as well as lighter HVAC installations.



All Engineered Air Treatment Damper designs have been tried and tested for over 35 years.

FEATURES

- Manufactured from tried & tested designs
- Flexible Flange arrangements and depth requirements
- Dampers in Dry environment have very little maintenance requirements
- 2 Year warranty from date of despatch.
- Sizes from 300 Dia to 1200 Dia.
- Flexible design to suit customer requirements- e.g can be designed to suit airflow direction vertical or horizontal.
- Excellent Customer Service from Engineers that have manufactured the dampers they sell. Our Sales staff have over 30 years' experience.
- ATEX Rating - Optional Extra

All materials used are class 'A' Fully traceable as part of ISO 9001



STANDARD LAYOUT

MATERIALS	Pre-Galvanised M.S. to BS EN 10346 2015 DX51D
CASING	2mm Fully Welded and Cleaned for Smoother finish Coated in silver enamel QD8 (C3 Class top coat)
BLADES	2mm standard- higher airflows 3mm blade available.
SPINDLES	1/2" Dia solid st/st spindles
HARDWARE	BZP if required
BUSHES	Nylon Bushes
DEPTH	200MM- Blades will protrude approx 40% of diameter past casing
CLOSING	Coated in Silver enamel QD8 (C3 Class top coat)

OPTIONS FOR MATERIALS

MATERIALS	Zintec, Aluminium, marine grade Aluminium, 304, 316 Stainless Steel
CASING	2mm, 3mm to 6mm
BLADES	2mm or 3mm , c/w stiffener for higher velocity airflow.
SPINDLES	304 or 316 Stainless Steel
HARDWARE	A2 and A4
BUSHES	Nylon Bushes, Phosphor Bronze, SFL Bearings, St/st Teflon lined
MESH	1" Sq, 3mm and we can fit security bars
CLOSING	Blades can have rubber seal edge
ACTUATOR	Manual handle, pneumatics, electric actuator options available.

ADDITIONAL DAMPER INFORMATION

Engineered Air Treatment Ltd. Pride themselves on solving Damper issues and due to the many options available we would recommend contacting our sales team who would also assist where possible.



Standard -20 to +80 Deg C

We have experience of supplying dampers from -50°C to +100°C



Weight on Request.





Pressure drop TBC on Request, Dependant on airflow and size.



Minimum 300mm, maximum 1200mm diameter.

ATEX OPTIONS - INCLUDED

ATEX zone 1 and 2 Rated Dampers to BS EN 13463

ATEX RATING	  II₂G c IIC T₁..6X
CONSTRUCTION	Stainless Steel Construction for its Anti Sparking properties
CASING	2mm
FLANGES	50mm Drilled Flanges to suit Fan
BLADES	2 Blades opening from centre
BUSHES	Posphor Bronze
SPINDLES	St/St
ACTUATOR	Option for Atex rated Actuators - Electric & Pneumatic Available

Certification and CE marked Label attached Supplied with each

OPTIONAL EXTRAS

External Micro switches

Viewing windows

Lifting Eyes

Mesh Bird Guard and Insect Mesh

Weighted balance to allow pressure build up

Qualified to Construction standards with Welder certs, procedures and tests available

External visual indicators

Covers over the Actuators and Mechanisms

Powdercoated Finish

Flanges can be drilled to Suit and be 20mm to 100mm

EXAMPLE OF DAMPERS



Closed



50% Open



Full Open





Engineered Air Treatment are proud of our quality record which allows us to have complete confidence in the products we offer. We adhere to our ISO9001 accreditation and install these values into our valuable employees. This confidence allows us to offer a 2 year warranty with all our products.

We also have complete traceability and files over 20 years old to look back on. We are a can do company.

CE Marking for Standard Butterfly Dampers

The CE marking shall be the only marking which attests the conformity of the product with the applicable requirements of the relevant Community harmonisation legislation providing for its affixing”

There is also currently no relevant Community Harmonisation Legislation for a standard damper to adhere to and so CE marking to an official European standard is not possible.

CE Marking is required if dampers are Classed as fire rated safety products or according the building regulation 2016 a supporting the structure of the building, that is unless it comes into the Bespoke construction Section of the legislation and then due care and diligence needs to be illustrated.

This is our own interpretation of the current legislation and would react accordingly if required by law.

Engineered Air Treatment Ltd are a ISO9001: 2015 certified company, and can offer full material certification and traceability. We can also issue Certificate of Conformity, stating that we have supplied as ordered. We also supply EC Declaration of Incorporation with our products.